

Increased Safety Enclosures

IOM Manual

This page intentionally left blank

Information in this document is subject to change without notice. All terms mentioned in this manual that are known to be trademarks have been appropriately capitalized. Purge Solutions, Inc. acknowledges all trademark(s) and the rights of the trademark(s) owned by the company referred to herein.



592 Avenue E 1/2, Alvin, Texas 77511 USA

Phone: 832-368-7166

Fax: 281-824-4418

E-mail: info@purgesolutions.com

Web site: <http://www.purgesolutions.com>

Release Date: 23 March 2014

Document Number: DO-11209-H

© Copyright 2002 by Purge Solutions, Inc.

All rights reserved

| Revision Record | | |
|------------------------|--|-------------|
| Rev. | Description | Date |
| A | Initial Release | 23-Mar-14 |
| B | Additional Requirements for Hazardous Area Certification | 24-Jul-14 |
| C | Additional Requirements for Hazardous Area Certification | 31-Jul-14 |
| D | Additional Requirements for Hazardous Area Certification | 07-Aug-14 |
| E | Additional Requirements for Hazardous Area Certification | 12-Aug-14 |
| F | Added Storage Temperature Range | 21-May-15 |
| G | Change of Address | 27-May-16 |
| H | Addition of Gland Plates | 12-Aug-16 |
| | | |
| | | |
| | | |
| | | |
| | | |

Copyright Notice:

This document contains information proprietary to Purge Solutions, Inc. with all rights reserved worldwide. Any reproduction or disclosure of this publication, or any part thereof, to persons other than Purge Solutions, Inc. personnel or customers is strictly prohibited, except by written permission of Purge Solutions, Inc. Unauthorized use, disclosure, reproduction, or translation of this publication will result in Purge Solutions, Inc. exercising maximum possible legal action against all persons and / or organizations involved.

Disclaimer:

Purge Solutions, Inc. makes every effort to ensure the accuracy and completeness of this manual. However, we cannot be responsible for errors, omissions, or any loss of data as the results of errors or omissions. We therefore make no representations or warranties with respect to the contents hereof. Further, Purge Solutions, Inc. reserves the right to revise this publication and to make changes in the content hereof, without obligation to notify any person or organization of such revision or changes.

Shipment Arrival Procedures:

This shipment has been thoroughly inspected at the factory prior to its delivery to the carrier. After the shipment is picked up by the carrier, it becomes their responsibility. When the shipment arrives, make certain that it is undamaged and complete.

Patent Notice:

Manufactured under United States, Worldwide Patents, and Patents Pending.

Trademark Information:

Purge Solutions, Inc. and its logo(s) are trademark(s) of Purge Solutions, Inc.

Table of Contents

Legal Notices and Revision History Inside
front cover

Section 1

| | |
|------------------------|---|
| How To Use This Manual | 1 |
| Safety Considerations | 1 |
| Label Definition Table | 2 |
| Locating Information | 2 |
| General Safety | 3 |
| General Precautions | 3 |
| Electrical Power | 4 |
| System Location | 4 |

Section 2

| | |
|--------------------|---|
| Specifications | 5 |
| Certifications | 5 |
| Environmental | |
| Conditions | 5 |
| Features | 5 |
| Options | 5 |
| Enclosure Material | |
| Specifications | 6 |

Section 3

| | |
|-----------------------------|---|
| Installation | 7 |
| Guide to Cable Gland | |
| Increase Safety Enclosure | |
| Side Entry Positions | 8 |
| Guide to Increase Safety | |
| Enclosure Installation | 8 |
| Additional Instructions to | |
| Minimize the Risk of | |
| Electrostatic Discharge for | |
| Fixed Installations Powder | |
| Coated and Anodized | |
| Increased Safety | |
| Enclosures | 9 |
| Mounting | 9 |

Section 4

| | |
|-----------------------|----|
| Options | 10 |
| Vortex Cabinet Cooler | |
| Systems | 10 |
| Increased Safety | |
| Window Kits | 11 |

Section 5

| | |
|--------------|----|
| Getting Help | 13 |
| Warranty | 14 |

Section 1

How to Use This Manual

Safety Considerations:

This chapter includes important information that must be read and understood by all persons installing, using, or maintaining this equipment. While this manual is designed to aid personnel in the correct and safe installation, operation, and maintenance of the systems described. Personnel must consider all actions and procedures for potential hazards or conditions that may not have been anticipated in the written procedures. If a procedure cannot be performed safely, it must not be performed until appropriate actions can be taken to ensure the safety of equipment and personnel. The procedures in this manual are not designed to replace or supersede required or common sense safety practices. All safety warnings listed in any documents applicable to equipment and parts used in or with the system described in this manual must be read and heeded before commencing work on any part of the system.



NOTE: Refer to all ATEX and IECEx certificates for any Special Conditions of Use. If the sign “X” is placed after the certificate number, it indicates that the equipment or protective system is subject to special conditions for safe use specified in the schedule of the certificate.



NOTE: Review all material and safety information in this manual and install in accordance with this document and all other applicable ATEX and IECEx standards.






WARNING: Failure to follow appropriate safety procedures or inappropriate use of the equipment described in this manual can lead to injury of personnel or equipment damage.



WARNING – EXPLOSION HAZARD – Do not disconnect equipment unless power has been removed or the area is known to be non-hazardous.

The following symbols are used throughout this manual to alert users to potential hazards or important information. ***Failure to heed the warnings and cautions listed herein can lead to injury and equipment damage.***

| Document Label Definitions Used To Indicate Potential Hazards | | |
|---|-----------------|---|
| Symbol | Label | Description |
|  | WARNING: | Consists of conditions, practices or procedures that must be observed to prevent personal injury and / or equipment damage. |
|  | CAUTION: | Risk of electric shock or high temperature parts may result in injury if proper precautions are not taken. |
|  | NOTE: | Emphasizes important or essential information. |

Locating Information:



NOTE: *In the interest of completeness, manuals and drawings included with the system may provide information pertaining to options not included with your equipment. Information in application notes supersedes general information in these documents. Information can be located in this manual using any of the following aids.*

1. Table of Contents
2. Getting Help

General Safety and Operating Information:

This section contains general safety and operating information applicable to electrical equipment installed within hazardous locations. This information must be understood by all persons installing, using, or maintaining the electrical equipment. This information is designed to aid personnel in safe installation, operation, and maintenance of the Increased Safety Enclosure. It is not designed to replace or limit appropriate safety measures applicable to work performed by personnel. Any additional safety and operating measures that are required must be determined by and followed by personnel performing work on the electrical equipment.



WARNING: *Deviation from the specified instruction or procedure steps can result in injury to personnel, equipment malfunction and / or equipment damage.*



WARNING: *Return unit to factory for any repairs or replacement of parts, customer not permitted. This will void all warranties and hazardous area certification(s).*

General Precautions:

Protective eyewear (*glasses with side shields or goggles as appropriate*) must be worn when servicing any part of electrical equipment. Hot components should be allowed to cool before servicing if possible. Other appropriate equipment or clothing must be used as required by the type of work performed. All applicable regulations and procedures must be followed for the work performed. **Before** beginning any work on the equipment, carefully consider all the potential hazards and ensure that appropriate measures are taken to prevent injury to personnel or equipment damage.



CAUTION: *Electrical equipment components may be hot even when power is not applied. Take appropriate precautions to prevent injury from contact with hot items.*



CAUTION: *Applicable permits must be obtained and appropriate precautions must be taken to prevent possible injury to personnel or equipment damage when installing or maintaining this equipment.*

Electrical Power:

Appropriate precautions must be taken to prevent sparks that may ignite combustible materials that may be present in the Increased Safety Enclosure environment. Precautions must also be taken to prevent electrical shock if the Increased Safety Enclosure is opened. Power circuit breakers and wiring must be sized properly for the required current. All wiring installations must meet applicable electrical codes.

System Location:

The Increased Safety Enclosure must not be installed in an area classification for which it is not rated and must be protected from temperature extremes and potentially high vibration. The Increased Safety Enclosure must be attached securely and appropriately at its final installation.

Section 2

Specifications

Certifications & Standards

Certified for installation and use in ATEX and IECEx for
 II 2 G Ex eb IIC Gb IP66
 For Zone 1 / Category 2 gas hazardous locations
 II 2 D Ex tb IIIC Db IP66
 For Zone 1 / Category 2 dust hazardous locations
 ATEX Certificate Number = ITS 14 ATEX 37951U
 IECEx Certificate Number = IECEx ITS 14.0004U
 Standards = IEC / EN 60079-0, IEC / EN 60079-7 and IEC / EN 60079-31

Environmental Conditions

| | |
|-----------------------------|----------------------------------|
| Operating Temperature Range | - 40°F to 176°F (- 40°C to 80°C) |
| Storage Temperature Range | - 58°F to 194°F (- 50°C to 90°C) |
| Used and Mounted | For Indoor and Outdoor Use |
| Ingress Protection | IP66 |

Features

| |
|---|
| Custom size enclosures as required for customer application |
| Holes can be punched in enclosure or gland plate for cable glands, windows, purge systems and any other component per customer's application requirements |
| Proprietary hinge design that allows clamping of door on all sides for maximum ingress protection with fasteners that allows door to be removed as needed |
| Ground stud on door and box and an external earth ground stud |
| Continuous silicone door and gland plate gasket |

Options

| |
|----------------------------------|
| Welded on external mounting feet |
| Padlock hasp and staple |
| Internal mounting plates |

Enclosure Material Specifications

Type 304 stainless steel with brushed finish – enclosure, door, gland plate and internal mounting plate gage thickness depending on overall enclosure dimensions

Type 316L stainless steel with brushed finish – enclosure, door, gland plate and internal mounting plate gage thickness depending on overall enclosure dimensions

Mild carbon steel, powder coated RAL7035 light gray finish – enclosure, door, gland plate and internal mounting plate gage thickness depending on overall enclosure dimensions

Type 5052 H-32 aluminum either powder coated RAL7035 light gray – enclosure, door, gland plate and internal mounting plate gage thickness depending on overall enclosure dimensions

Type 316 stainless steel - grounding earth stud and hardware

All seams continuous welded and ground smooth before finish is applied

Section 3

Installation



WARNING: Before attempting to install any Increased Safety Enclosure; review all the material and all safety information in this manual and all other applicable documents.



WARNING: Applicable permits must be obtained and appropriate precautions must be taken to prevent possible injury to personnel or equipment damage when installing any Increased Safety Enclosure.



NOTE: Refer to all ATEX and IECEx certificates for any Special Conditions of Use. If the sign “X” is placed after the certificate number, it indicates that the equipment or protective system is subject to special conditions for safe use specified in the schedule of the certificate.



NOTE: Review all material and safety information in this manual and install in accordance with this document and all other applicable ATEX and IECEx standards.



NOTE: Purge Solutions, Inc. is NOT responsible for any misuse or improper installation of product, assumes no liability for special or consequential damages caused by use or misuse or improper installation of its products sold and assumes no liability for injury from use or misuse or improper installation of its products or attached products.

Guide to Cable Gland Increase Safety Enclosure Side Entry Positions

Do not put cable gland holes closer than 1.63 inches (41.4 mm) from any edge of enclosure wall or edge of gland plate enclosure opening

Prior to putting holes in the enclosure wall or gland plate; verify that the selected cable gland will have sufficient clearance for the sealing washer and lock nut

Maximum hole diameter is major thread diameter of cable gland plus 0.03 inches (0.7 mm)

Minimum material maintained between M16 through M32 cable glands = 0.59 inches (15.0 mm)

Minimum material maintained between M35 through M75 cable glands = 0.79 inches (20.0 mm)

Minimum material maintained between M75 through M100 cable glands = 1.38 inches (35.0 mm)

If a combination of cable gland sizes are to be installed; always maintain the larger cable gland minimum material distance between them

Guide to Increased Safety Enclosure Installation

Visually inspect gasket, clamps and hinges after each opening of enclosure

Enclosure 5/16-18 x 1.5 long grounding stud shall be connected by ring lug at the end of earth grounding cable; refer to local codes for proper selection of electrical hardware (Refer to Figure 2)

Internal body grounding terminals shall be used for internal equipment grounding connections; refer to local codes for any additional requirements

The number and arrangement of terminal blocks or other wiring terminals shall be determined in the end use investigation

All enclosure and / or gland plate openings must be filled by equipment / components; i.e. plugs, breathers are certified Ex eb IIC Gb IP66 for gas hazardous areas and Ex tb IIIC Db IP66 for dust hazardous areas equal or better

Select cable glands with Ex eb IIC Gb IP66 for gas hazardous areas and Ex tb IIIC Db IP66 for dust hazardous areas equal or better certification and application

Make sure that all cable glands accessories; i.e. lock nuts, sealing washers are included for through hole installation

Install all cable glands, equipment and components to manufacturer's instructions

Tighten all door clamps to a torque level of 30 – 35 in lbs. (3.4 – 3.9 Nm)

Tighten all gland plate fasteners to a torque level of 25 – 30 in lbs. (2.8 – 3.4 Nm)

Additional Instructions to Minimize the Risk of Electrostatic Discharge for Fixed Installations Powder Coated and Anodized Increased Safety Enclosures

Test area to make certain no explosive atmosphere is present prior to contact or cleaning of enclosure

Make certain enclosure is properly grounded, external earth ground connection is properly made and are properly bonded

For painted and anodized enclosure surfaces; avoid friction with surfaces and only clean with wet cloth moistened with de-ionized water

Avoid contact with painted and anodized enclosure surfaces in low relative humidity and where possible increase environmental humidity



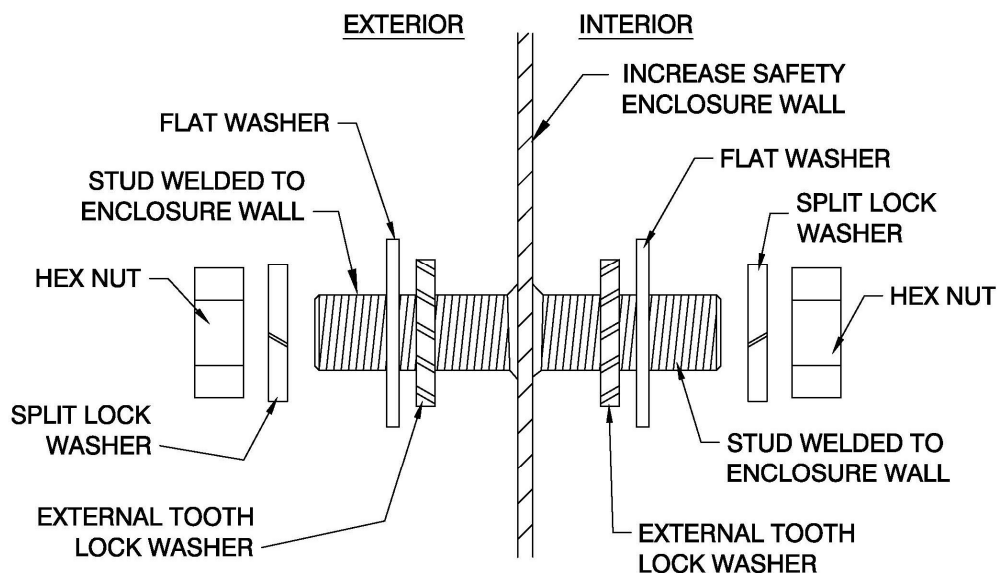
WARNING: Failure to heed the following information may lead to injury of personnel or equipment damage.

Mounting:

Review all of the material in this manual prior to installing any Increased Safety Enclosure. If you have any questions, please contact your local Purge Solutions, Inc. representative or the factory (Refer to Getting Help, page 13).



WARNING: This apparatus must be earth grounded!
Refer to Figure 1 for proper ground connection details.



DETAIL OF 5/16-18 EARTH GROUND CONNECTION

Figure 1

Section 4

Options

Vortex Cabinet Cooler Systems:

For applications where thermal management of electrical cabinets and control panels are required; Purge Solutions, Inc. offers Vortex Cabinet Cooler Systems, which provide cooling and maintain an IP66 rating for installation and use in hazardous area. Contact your local Purge Solutions, Inc. representative or the factory for sizing of system and installation information.



NOTE: *There are special modifications and sizing requirements to be made before Vortex Cabinet Cooler Systems are able to be installed and used in a hazardous locations.*

| Continuous Operation Vortex Cabinet Cooler System (<i>Without Thermostat Control</i>) Model Number Matrix | | | |
|--|------------------------|------------------------|---------------------|
| Cooling Capacity | Supply Pressure | Air Consumption | Model Number |
| 900 Btu/hr (264 W) | 100 psig (6.9 bar) | 15 SCFM (425 LPM) | PSO-CO0900 |
| 1500 Btu/hr (440 W) | 100 psig (6.9 bar) | 25 SCFM (708 LPM) | PSO-CO1500 |
| 2500 Btu/hr (732 W) | 100 psig (6.9 bar) | 35 SCFM (991 LPM) | PSO-CO2500 |
| 5000 Btu/hr (1465 W) | 100 psig (6.9 bar) | 70 SCFM (1981 LPM) | PSO-CO5000 |

| Thermostat Controlled Vortex Cabinet Cooler System Model Number Matrix | | | |
|---|------------------------|------------------------|---------------------|
| Cooling Capacity | Supply Pressure | Air Consumption | Model Number |
| 900 Btu/hr (264 W) | 100 psig (6.9 bar) | 15 SCFM (425 LPM) | PSO-TC0900 |
| 1500 Btu/hr (440 W) | 100 psig (6.9 bar) | 25 SCFM (708 LPM) | PSO-TC1500 |
| 2500 Btu/hr (732 W) | 100 psig (6.9 bar) | 35 SCFM (991 LPM) | PSO-TC2500 |
| 5000 Btu/hr (1465 W) | 100 psig (6.9 bar) | 70 SCFM (1981 LPM) | PSO-TC5000 |

Vortex Cabinet Cooler Systems Utility Requirements & Environmental Conditions

| | |
|--|---|
| Instrument Grade Air Supply Pressure to Vortex Cabinet Coolers | 100 psig (6.9 bar) <i>(Suggested for optimal cooling of enclosure)</i> |
| Vortex Cabinet Cooler Air Supply Quality | Water and oil-free, - 40°F (- 40°C) dew point, particles ≤ 5μ, ISA grade hydrocarbon free |
| Operating Temperature Range | - 40°F to 176°F (- 40°C to 80°C) |
| Storage Temperature Range | - 58°F to 194°F (- 50°C to 90°C) |
| Used and Mounted | For Indoor and Outdoor Use |
| Ingress Protection | IP66 |

Increased Safety Window Kits:

For increased safety enclosure that require viewing of components mounted within the enclosure Purge Solutions, Inc. offers both opening and non-opening Increased Safety Window Kits in ten (10) standard window viewing sizes.

If there is not a viewing opening listed in our standard sizes that meets your application requirements; Purge Solutions, Inc. can custom build an opening or non-opening Increased Safety Window Kit for you. As long as the design stays within our conditions of certification no additional assessment and testing is required to maintain ATEX / IECEx certification. Contact Purge Solutions, Inc. to discuss viewing opening needs.

Non-Opening Machined Bezel Increased Safety Window Kits Model Number Matrix

| Window Viewing Size | Bezel Material | Model Number |
|-------------------------------|-------------------------|----------------|
| 0.98 (24.9) x 1.88 (47.8) | Black Anodized Aluminum | PSO-1/32DINW-A |
| 1.88 (47.8) x 1.88 (47.8) | Black Anodized Aluminum | PSO-1/16DINW-A |
| 1.88 (47.8) x 3.76 (95.5) | Black Anodized Aluminum | PSO-1/8DINW-A |
| 3.76 (95.5) x 3.76 (95.5) | Black Anodized Aluminum | PSO-1/4DINW-A |
| 7.25 (184.2) x 10.00 (254.00) | Black Anodized Aluminum | PSO-XLW-A |
| 0.98 (24.9) x 1.88 (47.8) | 316 Stainless Steel | PSO-1/32DINW-S |
| 1.88 (47.8) x 1.88 (47.8) | 316 Stainless Steel | PSO-1/16DINW-S |
| 1.88 (47.8) x 3.76 (95.5) | 316 Stainless Steel | PSO-1/8DINW-S |
| 3.76 (95.5) x 3.76 (95.5) | 316 Stainless Steel | PSO-1/4DINW-S |
| 7.25 (184.2) x 10.00 (254.00) | 316 Stainless Steel | PSO-XLW-S |

Opening and Non-Opening Sheet metal Increased Safety Window Kit Model Number Matrix

PSISW- 2 N 1

Purge Solutions
Increased Safety
Window Kit

WINDOW VIEWING SIZE

- 1 = 9.00 x 6.00 (228.6 x 152.4)
- 2 = 14.25 x 8.75 (362.0 x 222.3)
- 3 = 19.50 x 11.50 (495.3 x 292.1)
- 4 = 25.00 x 16.00 (635.0 x 406.4)
- 5 = 30.00 x 20.00 (762.0 x 508.0)

MATERIAL AND FINISH

- 1 = 304 Stainless Steel, Brushed
- 2 = 316 Stainless Steel, Brushed
- 3 = Carbon Steel, Powder Coated
- 4 = Aluminum, Powder Coated

TYPE

- O = Opening
- N = Non-Opening



NOTE: Window Viewing Size, Type, Material and Finish selections are made by end user to meet final application requirement (MODEL NUMBER SHOWN ABOVE IS AN EXAMPLE).

Increased Safety Window Kits Environmental Conditions

| | |
|-----------------------------|----------------------------------|
| Operating Temperature Range | - 40°F to 176°F (- 40°C to 80°C) |
| Storage Temperature Range | - 58°F to 194°F (- 50°C to 90°C) |
| Used and Mounted | For Indoor and Outdoor Use |
| Ingress Protection | IP66 |

Section 5

Getting Help

Answers to many questions concerning your Increased Safety Enclosure or any of our other products we offer can be found in this manual. If a problem or question is encountered that is not covered in the documentation provided, assistance is available Monday through Friday (except holidays), from 8 a.m. to 5 p.m. United States central time. To obtain assistance, please call Purge Solutions, Inc. at **832-368-7166**.

For assistance during times other than normal business hours, consult our World Wide Web Internet site at **<http://www.purgesolutions.com>**. This site includes equipment information, news releases, and other information. E-mail can be sent to **info@purgesolutions.com**.

Purge Solutions, Inc. Standard Terms and Conditions of Sale

The product, equipment, software, material and / or services (collectively the "Product"), which are described in our quotation, purchase order acknowledgment, packing list and / or invoice hereof shall be sold by Purge Solutions, Inc. only upon the following Standard Terms and Conditions of Sale:

1. **CONTRACT TERMS AND ACCEPTANCE OF PURCHASE ORDER:** These Standard Terms and Conditions of Sale (the "Contract") are the only terms and conditions applicable to the sale of the Products, which are based on qualification and completion of the following: a) Acceptance of any Purchase Order is subject to credit approval by Purge Solutions, Inc. b) Acceptance of completed Purge Solutions, Inc. Customer Information Form. c) Final acceptance of Purchase Order will be Purchase Order Acknowledgment being forwarded to Buyer (*Only until Purchase Order Acknowledgment has been forwarded to Buyer has purchase order been accepted and sent to manufacturing for processing.*)
 2. **QUOTATION PRICES:** Quoted prices are valid for thirty (30) days of quotation date and are exclusive of any applicable taxes, shipping charges and / or any other miscellaneous charges not specified in quote. Prices are subject to change without notice. Any change in quantities, partial release and / or destination may incur a price adjustment.
 3. **PAYMENT TERMS:** Purchase Orders inside the Continental United States; are subject to the approval of Purge Solutions, Inc. Credit Department and unless otherwise agreed in writing, terms of payment are NET thirty (30) days following the date of invoice. Purchase orders outside the continental United States, will be shipped upon receipt of full payment and all costing in US dollars. When the purchase order has been acknowledged, an invoice will be provided. When full payment has been received, including shipping and handling charges, purchase order will be shipped. Purge Solutions, Inc. accepts Visa, MasterCard, Discover and American Express as well as banking transfers. Banking transfer fees are not shared and if banking transfer fees are incorrect; purchase orders will not be shipped. If any Buyer fails to comply with these terms and conditions or sale or if Buyer's credit becomes unsatisfactory to Purge Solutions, Inc., Purge Solutions, Inc. reserves the right to terminate the purchase order without liability to Purge Solutions, Inc. and all future purchase orders of Buyer will be COD or credit card terms before shipping. If a company has an outstanding invoice that is five (5) days past the due date, open purchase orders are subject to being held until such time as the past due status has been brought current.
 4. **DELIVERY DATES:** Quoted delivery dates are approximate estimates determined at the time of quotation and are subject to revisions due to variations in order processing and new purchase orders in manufacturing queue since quoting. Purge Solutions, Inc. assumes no liability for losses arising from inaccurate lead time estimates and is able to make partial shipments against this Contract. The Buyer shall not hold Purge Solutions, Inc. responsible for any delay or damages suffered by the Buyer by reason of any delay due to fires, strikes, riots, Acts of God, priorities, Government orders or restrictions, delays by suppliers or materials or parts, inability to obtain suitable and sufficient labor and / or any other unavoidable contingencies beyond the control of Purge Solutions, Inc. In no case shall Purge Solutions, Inc. be liable for any consequential or special damages arising from any delay in delivery. In the event of such delay, the shipping date shall be extended for a period equal to the time lost by reason of such delay.
 5. **CANCELLATIONS:** Only prior to shipping of Product may Buyer terminate purchase order providing the following: a) Purge Solutions, Inc. is given reasonable notice. b) Purge Solutions, Inc. is compensated for all costs, expenses incurred or committed and for any losses resulting. Once a purchase order has been shipped, all sales are final.
 6. **CLAIMS, DAMAGE OR LOSS IN TRANSIT:** Delivery of Product to carrier from Purge Solutions, Inc. facility or other shipping point shall constitute delivery. Buyer shall bear the risk of loss for damage to or loss of Product from the time Purge Solutions, Inc. delivers Product to carrier, Buyer or Buyer agent. Any claims for damage or loss, which has passed to the Buyer shall be filed with the carrier. Buyer shall give written notice to Purge Solutions, Inc. of any claim for shortage or error in Product shipped within five (5) days of receipt of Product.
 7. **WARRENTY AND LIMITATION OF LIABILITY:** Purge Solutions, Inc. Products are warranted free from defects in material and workmanship at the time of shipment for one year thereafter (One year from date of shipping.). Any claimed defects with Purge Solutions, Inc. Products must be reported within the warranty period and warranty subject to inspection by Purge Solutions, Inc. All warranty inspections are to be performed at Purge Solutions, Inc. facility. Buyer shall ship with shipping charges paid by the Buyer to Purge Solutions, Inc. facility. After inspection by Purge Solutions, Inc. a quotation of proposed work required will be sent to the Buyer. Purge Solutions, Inc. shall be liable only to replace or repair, at its option, free of charge, Products which are found by Purge Solutions, Inc. to be defective in material or workmanship, and which are reported to Purge Solutions, Inc. within the warranty period as provide previously. This right of replacement shall be Buyer's exclusive remedy against Purge Solutions, Inc. Shipment of repaired or replaced products from Purge Solutions, Inc. facility shall be ex-works or FOB Purge Solutions, Inc. facility. Purge Solutions, Inc. shall not be liable for labor charges or other losses or damages of any kind or description, including but not limited to, incidental, special or consequential damages caused by defective Products. This warranty shall be void if product specifications provided by Purge Solutions, Inc. are not followed concerning methods of installation, operation, usage, storage or exposure to harsh conditions (including, but not limited to, temperature and humidity levels outside the approved ranges). Products furnished by Purge Solutions, Inc. by other suppliers shall carry no warranty except that supplier's warranties as to materials and workmanship. Purge Solutions, Inc. disclaims all warranties, expressed or implied, with respect to such Products. The express warranties set forth herein constitute the only warranties with respect to the products sold in connection herewith. Purge Solutions, Inc. makes no representation or warranty of any kind, express or implied (either in fact or by operation of law), with respect to the Products, whether as to their merchantability, fitness for a particular purpose or otherwise. No employee, agent or representative of Purge Solutions, Inc. has any authority to bind Purge Solutions, Inc. to any oral or written representation or warranty concerning the Products over and above that stated herein, except by written amendment signed by Purge Solutions, Inc. and Buyer.
 8. **RETURNS:** Subject to the terms of this Contract regarding CANCELLATION and WARRANTY, All sales are final. Buyer may request a warranty return by contacting Purge Solutions, Inc. and requesting a Return Merchandise Authorization Number. No Product will be accepted for return without a valid Return Merchandise Authorization form and clearly noted on the outside of the shipment. Any return shipment must be made by prepaid freight unless Purge Solutions, Inc. has expressly authorized Buyer in writing to ship such Product to Purge Solutions, Inc. at Purge Solutions, Inc. expense. Any returns of Product authorized by Purge Solutions, Inc. under certain circumstances are subject to a standard restocking charge of 25% of the purchase order's invoice. Non-stock Products are subject to higher restocking charges, if return privileges are extended.
 9. **SERVICES:** Services rendered by Purge Solutions, Inc. whether with or without charge, are only advisory in nature and are only merely incidental to the sales of the Product. When any such services are rendered, Buyer will retain full responsibility for and full control, custody and supervision of the Product, its installation, selection thereof and a representative of Buyer shall be present with full authority to direct operations.
-